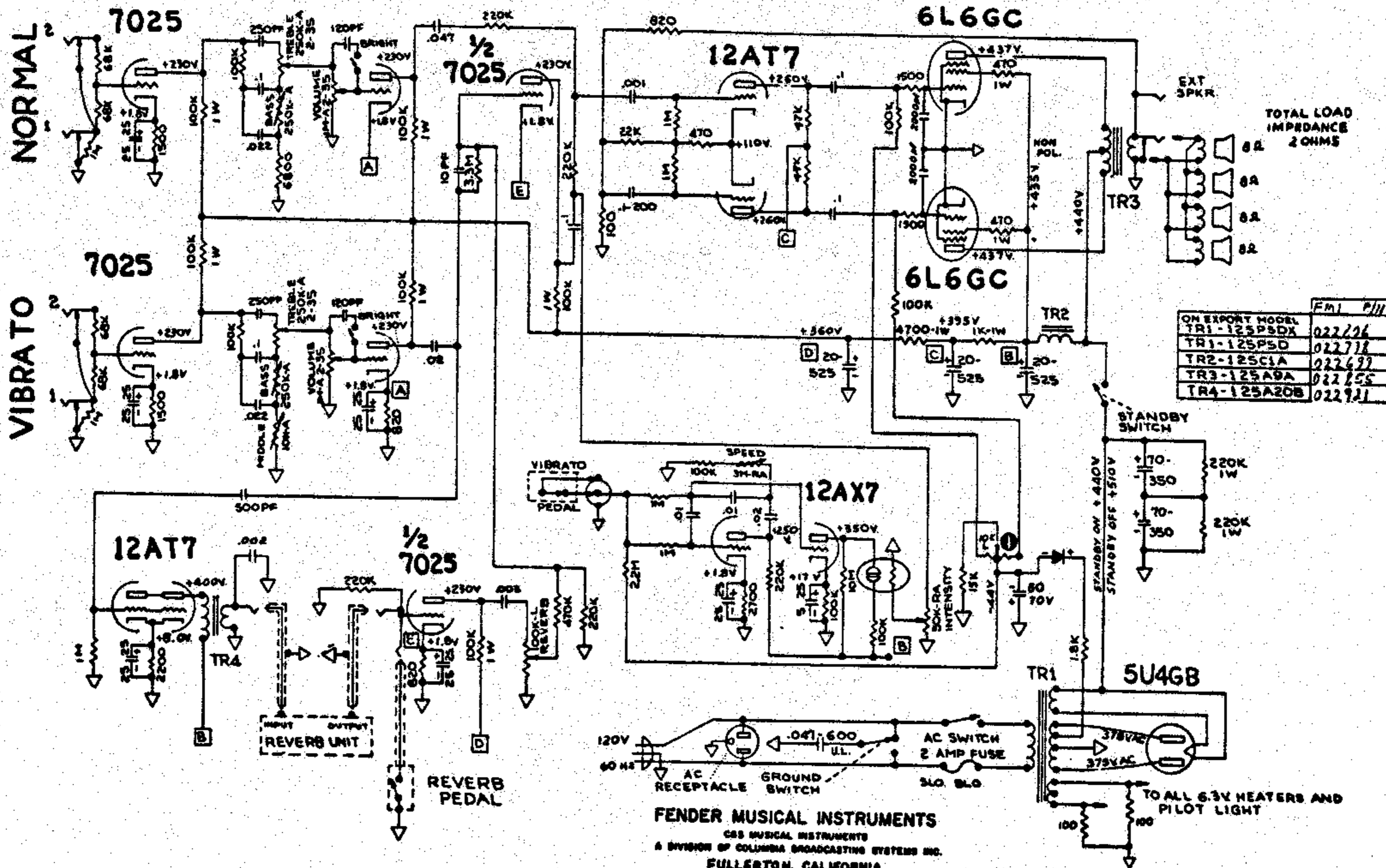


MODEL "SUPER-REVERB-AMP AA1069" SCHEMATIC

NOTICE

THIS PRODUCT MANUFACTURED UNDER ONE OR MORE OF THE FOLLOWING U.S. PATENTS-
 CIRCUIT PATENT #281708, #2973681
 DESIGN PATENT #192859
 PATENTS PENDING

- 1- VOLTAGES READ TO GROUND WITH ELECTRONIC VOLTMETER.
- 2- ALL RESISTORS 1/2 WATT 10% TOLERANCE IF NOT SPECIFIED.
- 3- ALL CAPACITORS AT LEAST 400 VOLT RATING IF NOT SPECIFIED.
- 4- ALL VOLTAGES READ WITH VIBRATO PEDAL GROUNDING AND NO INPUT SIGNAL.



ON EXPORT MODEL	EMI P/N
TR1-125P5DX	022726
TR1-125P5D	022718
TR2-125C1A	022697
TR3-125A9A	022855
TR4-125A20B	022921

FENDER MUSICAL INSTRUMENTS
 CBS MUSICAL INSTRUMENTS
 A DIVISION OF COLUMBIA BROADCASTING SYSTEMS INC.
 FULLERTON, CALIFORNIA
 U.S.A.

DRAWN F.T. 10-13-69 APPROVAL 1/10/70	Dwg. TITLE SCHEMATIC & WIRING DIAGRAM SUPER REVERB-AMP
D INCORPORATED ECO 1478 10-13-69 C INCORPORATED ECO 1478 1/10/70 B INCORPORATED ECO 1478 5-12-70 REVISED 1	SIZE D Dwg. NO. 047746 REV. D SCALE NONE MODEL TUBE TYPE SUPER REVERB-AMP SHEET 1 OF 2

AMPLIFIER TT